



■ Features

- Intel® Atom™ X7-E3950 / N3350 SoC CPU (formerly Apollo Lake)
- 2x COM, 2x CAN 2.0 (optional for 2x COM), 4x DI/DO, 2x USB 3.0, 1x DB9 console, DP, SKU A/M/O: 4x GbE RJ45 (one pair Bypass), SKU B/N/P: 2x GbE RJ45 (one pair Bypass) & 2x SFP, SKU Q: 4x GbE RJ45
- Onboard eMMC 64GB, DDR3L 4GB pre-install, 1x mSATA, optional 1x internal SATA 2.5" drive bay, TPM 2.0
- 1x M.2 B-Key w/ Nano SIM For LTE, 1x M.2 E-Key For Wi-Fi 5/6
- Wide operating temperature range: -40~70°C for industrial SKU A/B

■ Specifications

Processor System

CPU	Intel® Atom™ X7-E3950 / N3350 onboard
Frequency	1.60 GHz / 1.10 GHz
Core Number	4 / 2
BIOS	AMI SPI Flash BIOS
Chipset	SoC

Memory

Technology	DDR3L, up to 1600 MT/s
Max. Capacity	8 GB
Socket	1 x 204-pin SODIMM (DDR3L 4GB pre-install)

Graphic

Controller	Intel® HD Graphics 505/500
Display Interface	1x DP port

Ethernet

Controller	LAN1/2 by using Intel® i210-IT/AT with bypass; LAN3/LAN4 by using i210-IT/IS/AT
Speed	10/100/1000 Mbps
Interface	SKU A/M/O: 4x GbE RJ45 (one pair Bypass), SKU B/N/P: 2x GbE RJ45 (one pair Bypass) & 2x SFP SKU Q: 4x GbE RJ45
Protection	1.5KV magnetic isolation protection

Storage

Type	Onboard eMMC 64GB, 1x SATA, 1x mSATA
Installation	1x SATA for 2.5" SSD/HDD, mSATA module

I/O

Serial Port	1x 2x5-pin Terminal block for isolated 2x RS232/422/485
CANbus	1x 2x5-pin Terminal block for isolated 2x CAN 2.0A/B, optional for isolated 2x RS232/422/485

DIO	1x 2x6-pin Terminal block for: 4x DI (Dry/PNP/NPN) with -30~5V @ 7mA, Logical Value 0; 13~30V @ 7mA, Logical Value 1 4x DO (Sink) with voltage typical 24V (up to 30V) @ 200mA @ 200mA
USB	2x USB 3.0 Type A
Reset Button	1x Reset button (bottom side)
LED	1x Power Status, 1x Storage Access, 2x SFP status, 1x LTE status, 4x LTE signal level, 2x 4 Programmable
Expansion	1x M.2 B-Key w/ Nano SIM for LTE 1x M.2 E-Key for Wifi 6

Watchdog Timer

Watchdog timer 256 level time interval system reset, software programmable

Power

Power Supply Voltage	Typical +12V/+24Vdc Input
Connector	Phoenix contact 2-pin connector with lock
Power Consumption (Idle)	TBD
Power Consumption (Full Load)	TBD

Environment

Operating Temperature	-40 ~ 70°C for Industrial SKU A/B; 0 ~ 50°C for commercial grade SKU M/N/O/P
Storage Temperature	-40 ~ 85°C
Relative Humidity	5% ~ 95%, non-condensing

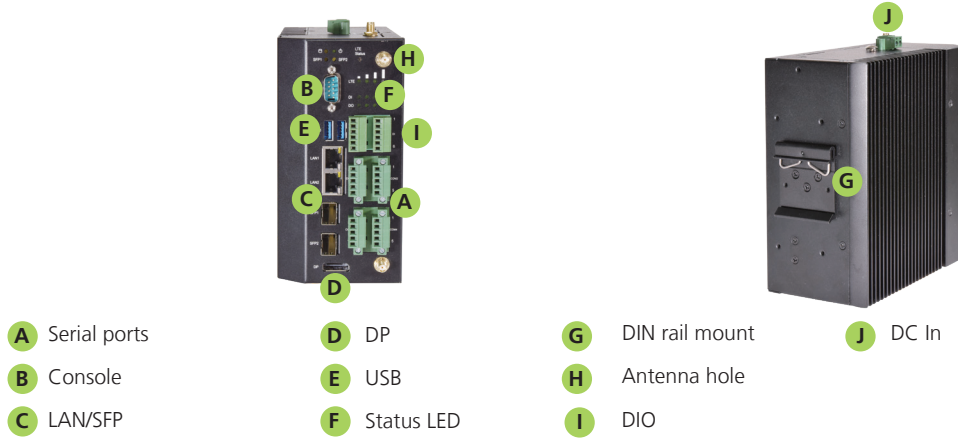
Mechanical

Dimension (W x H x D)	160 x 156.5 x 81 mm (6.29" x 6.16" x 3.18")
Fanless	Yes
Construction	Aluminum + Steel
Weight	2 kg (SKU B)
Mounting	DIN rail, wall mount (optional)

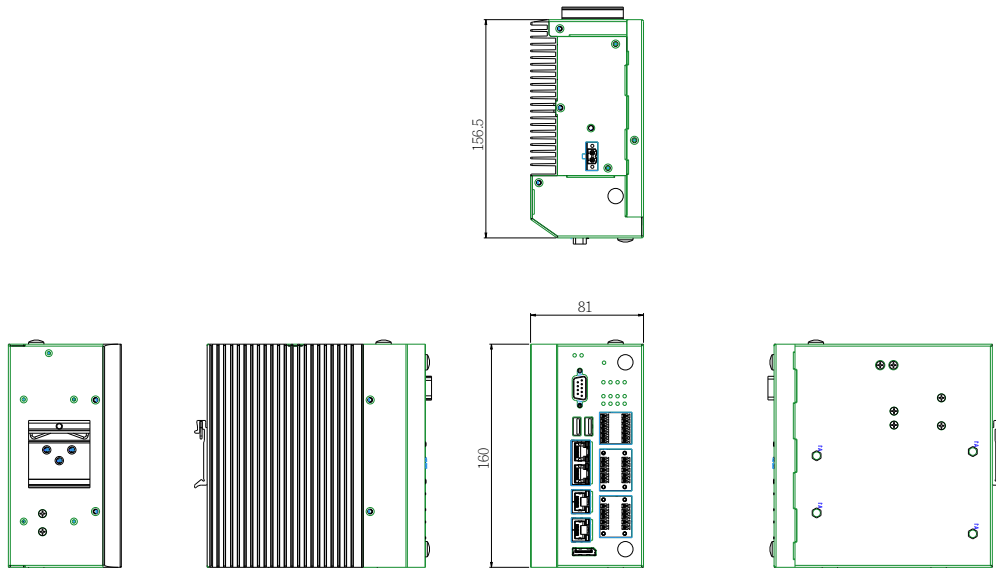
Driver Support

Microsoft Windows	Windows 10 IoT
Linux	Debian 10 or above

Product I/O View



Dimensions (WxHxD): 160 x 156.5 x 81 mm (6.29" x 6.16" x 3.18")



Ordering Information

IloT-I330A	Industrial Grade, Intel ATOM E3950 processor with DDR3L 4GB preinstall, 64GB eMMC, 4x GbE RJ45 (one pair Bypass), 2x COM, 2x CAN, 4x DIO, 1x DB9 Console, 2x USB 3.0, 1x DP
IloT-I330B	Industrial Grade, Intel ATOM E3950 processor with DDR3L 4GB preinstall, 64GB eMMC, 2x GbE RJ45 (one pair Bypass) & 2x GbE SFP, 2x COM, 2x CAN, 4x DIO, 1x DB9 Console, 2x USB 3.0, 1x DP
IloT-I330M	Commercial Grade, Intel Celeron N3350 processor with DDR3L 4GB preinstall, 64GB eMMC, 4x GbE RJ45 (one pair Bypass), 2x COM, 2x CAN, 4x DIO, 1x DB9 Console, 2x USB 3.0, 1x DP
IloT-I330N	Commercial Grade, Intel Celeron N3350 processor with DDR3L 4GB preinstall, 64GB eMMC, 2x GbE RJ45 (one pair Bypass) & 2x GbE SFP, 2x COM, 2x CAN, 4x DIO, 1x DB9 Console, 2x USB 3.0, 1x DP
IloT-I330O	Commercial Grade, Intel Celeron N3350 processor with DDR3L 4GB preinstall, 64GB eMMC, 4x GbE RJ45 (one pair Bypass), 1x DB9 Console, 2x USB 3.0, 1x DP
IloT-I330P	Commercial Grade, Intel Celeron N3350 processor with DDR3L 4GB preinstall, 64GB eMMC, 2x GbE RJ45 (one pair Bypass) & 2x GbE SFP, 1x DB9 Console, 2x USB 3.0, 1x DP
IloT-I330Q	Commercial Grade, Intel Celeron N3350 processor with DDR3L 4GB preinstall, 64GB eMMC, 4x GbE RJ45, 4x COM, 4x DIO, 1x DB9 Console, 2x USB 3.0, 1x DP

V3-2024.06.04