



## Ensure Physical Security with Video Surveillance Appliances



LEC-6032E



LEC-2580



LEC-7338

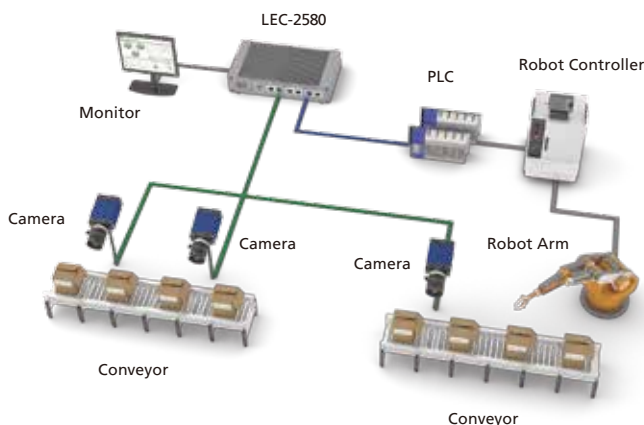
## Hardware Manufacturing Excellence for the Surveillance Industry

Founded in 1986, Lanner is a publicly-traded hardware manufacturer that provides design, engineering and production services for ruggedized security solutions.

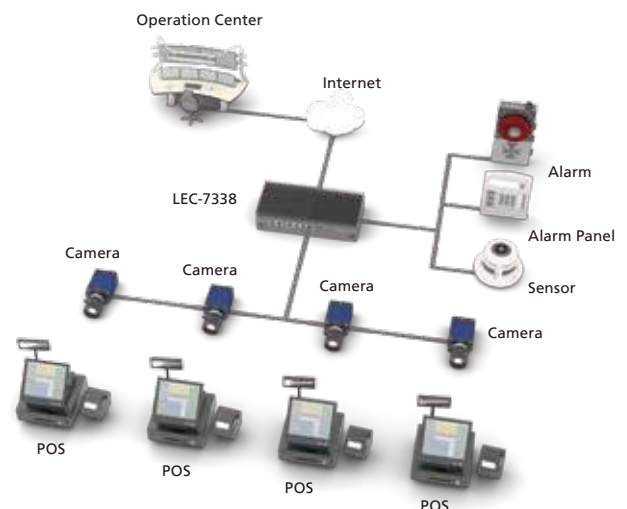
Leveraging its acknowledged industry leadership in network security, Lanner has developed a surveillance portfolio built on open platforms, and which feature multiple integration points for customization and secure connectivity for video-intensive solutions such as physical security, roadside traffic monitoring and other surveillance or ITS-related industrial applications.

The ideal hardware partner for surveillance and security deployments, Lanner fully controls its design and manufacturing process, allowing OEM clients to be more flexible and dynamic in the design stage and achieve significant reductions in development costs, support costs and time to market.

### Machine Vision for Smart Manufacturing



### Physical Security / Real-time Surveillance



# Product Selections

4x POE  
Surveillance Platform



8x POE  
Surveillance Platform



4x POE  
Surveillance Platform



Model Name		LEC-6032E	LEC-7338	LEC-2580P
Processor System	CPU	Intel® Atom™ E3845	Intel® Celeron® J1900	Intel® Core™ i7-6600U/i5-6300U/i3-6100U
	Frequency	1.91 Ghz	2 GHz	2.6 GHz/2.4 GHz/2.3 GHz
	Core Number	4C	4C	2C
	Chipset	AMI Flash BIOS	SOC	SOC
Fanless		Yes	No	Yes
Memory	Technology	DDR3L 1333 MHz	DDR3L 1333 MHz	DDR3L 1333/1600 MHz
	Max. Capacity	8GB	8GB	16GB
	Socket	1x 204-pin SODIMM	1x 204-pin SODIMM	2x 204-pin SODIMM
Graphic	Controller	Intel® HD Graphics	Intel® HD Graphics	Intel® HD Graphics
	VGA	Internal pin header	-	-
	HDMI	N/A	1x HDMI, 1920 x 1080	2x HDMI, 3840 x 2160@24Hz or 2560 x 1600@60Hz
Audio	Codec	N/A	Realtek ALC886	Realtek ALC886
	Interface	N/A	2x Phone Jack for MIC-in and Line-out	2x Phone Jack for MIC-in and Line-out
Ethernet	Controller	Intel® i210	Intel® i210 x2	Intel® i219 and i211
	Speed	10/100/1000 Mbps	10/100/1000 Mbps	10/100/1000 Mbps
	Interface	6x RJ45 (Including 4 PoE)	10x RJ45 (Including 8 PoE)	6x RJ45 (Including 4 PoE)
Storage	Type	SATA II	SATAII	SATA III
	Installation	1x 2.5" Drive Bay	1x mSATA (Mini-PCIe Slot)	1x mSATA Socket
	Type	-	SATAII	SATA III
	Installation	-	2x 2.5" HDD/SSD Drive Bay (RAID 0/1)	2x 2.5" HDD/SSD Drive Bay (Raid 0/1)
I/O	Serial Port	Internal pin-header x 1	2x RS-232/485, DB9 Male	4x RS-232/422/485, DB9 Male
	Digital I/O	-	8x DI, 8x DO with +5V TTL	-
	USB 2.0	1x Type A	2x Type A	2x Type A
	USB 3.0	1x Type A	1x Type A	4x Type A
	Power-On/Reset Button	1x Power On/Off, 1x Reset	1x Power On/Off, 1x Reset	1x Power On/Off, 1x Reset
	Remote	No	No	Yes
	LED	PWR, Storage, RX/TX	Power/HDD/3G	Power/HDD/3G/Wifi
	Antenna Hole	-	-	2x SMA Antenna Holes
Expansion Interface	Mini-PCIe	-	1x Full-sized Socket with SIM Card Reader	1x Full-sized Socket with SIM Card Reader/1x Half-sized Socket
Watchdog Timer	Software	Watchdog Timer 1~255 Level Time Interval System Reset, Software Programmable	Watchdog Timer 1~255 Level Time Interval System Reset, Software Programmable	Watchdog Timer 1~255 Level Time Interval System Reset, Software Programmable
Power	Power Type	-	ATX	ATX
	Power Supply Voltage	24~48 Vdc	+48 VDC	12 VDC~30 VDC
	Connector	2-pin Phoenix Contact Connector	2-Pin Terminal Block	2-pin Terminal Block
	Power Consumption (Idle)	TBD	TBD	TBD
	Power Consumption (Full Load)	TBD	TBD	TBD
Environment	Operating Temperature	-20°C~50°C (with Industrial-grade Components)	0°C~50°C (with Industrial-grade Components)	0°C~60°C (with Industrial-grade Components)
	Storage Temperature	-40°C~85°C	-20°C~70°C	-20°C~70°C
	Relative Humidity	5% - 95% non-condensing	5%~95%, Non-condensing	5%~95%, Non-condensing
Mechanical	Dimension (W x H x D)	78x146x127 mm	272 x 44 x 164.4 mm	210 x 60 x 143.8 mm
	Construction	Aluminum	SGCC	Aluminum + SGCC
	Weight	2.2 kg	TBD	TBD
	Mounting	DIN rail, Wallmount	Stand, VESA, Wallmount	Rack, VESA, Wallmount, DIN-rail
Driver Support	Microsoft Windows	Windows 7, Windows 7 Embedded	WES 7/Win 7 Pro FES/WE 8.1 Industry Pro/WIN 10 IoT	Win 7/Win 10 Full
	Linux	Kernel 3.x	Kernel 3.12	Linux
Certification	EMC	CE,FCC Class A, RoHS	CE,FCC Class A	CE,FCC Class A
Ordering Information		LEC-6032E	LEC-7338-J11A	LEC-2580P